

# Balfit® SAE 37° Flared Pipe Fittings

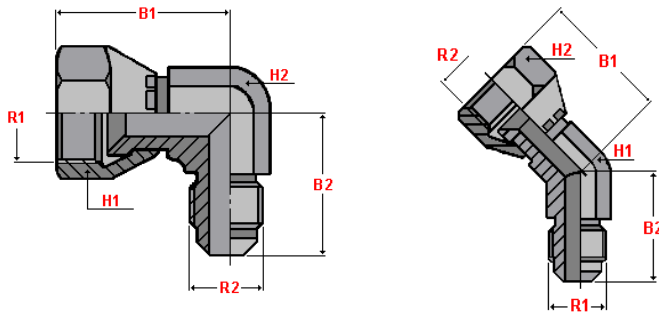


## Balfit® Swivel 90° Elbow – 35.675.

carbon steel swivel JIC female x JIC male 90° elbow connector

## Balfit® Swivel 45° Elbow – 35.690.

carbon steel swivel JIC female x JIC male 45° elbow connector



According to **ISO 8434-2** According to **SAE J514**

**Material:** Carbon Steel

**Finish:** Zinc-plated

	∅ tube		thread		dimensions				working pressure
	mm	inch	R1		B1	B2	H1	H2	bar
35.675.0404	6	1/4"	7/16" - 20	7/16" - 20	25	23	16	11	345
35.675.0505	8	5/16"	1/2" - 20	1/2" - 20	27	24	16	13	345
35.675.0606	10	3/8"	9/16" - 18	9/16" - 18	32	27	19	14	345
35.675.0808	12	1/2"	3/4" - 16	3/4" - 16		32	22		310
35.675.1010	16	5/8"	7/8" - 14	7/8" - 14	41	37	27	22	240
35.675.1212		3/4"	1.1/16" - 12	1.1/16" - 12	44	42	32	27	240
35.675.1616	25	1"	1.5/16" - 12	1.5/16" - 12	51	46	38	33	210
35.675.2020	32	1.1/4"	1.5/8" - 12	1.5/8" - 12	59		50	41	
35.675.2424	38	1.1/2"	1.7/8" - 12	1.7/8" - 12	66	59	60	48	70
35.675.3232		2"	2.1/2" - 12	2.1/2" - 12		85	66	70	70

part number	∅ tube				dimensions				bar
	mm	inch	R1		B1	B2	H1	H2	
35.690.0404	6	1/4"	7/16" - 20	7/16" - 20	18	25	16	11	345
35.690.0505	8	5/16"	1/2" - 20	1/2" - 20	20	27	16	13	
35.690.0606	10	3/8"	9/16" - 18	9/16" - 18	21	29	19	14	345
35.690.0808	12	1/2"	3/4" - 16	3/4" - 16	25	32	22	19	310
35.690.1010	16	5/8"	7/8" - 14	7/8" - 14	28	37	27	22	240
35.690.1212	20	3/4"	1.1/16" - 12	1.1/16" - 12	33	46	32	27	
35.690.1616	25	1"	1.5/16" - 12	1.5/16" - 12	37	46	38	33	210

also available:

### Balfit® Stainless Steel Swivel 90° Elbow

(add an 'S' at the end of the part number; ex: 35.675.0808 S)

### Balfit® Stainless Steel Swivel 45° Elbow

(add an 'S' at the end of the part number; ex: 35.690.0808 S)

Construction characteristics and dimensions may be changed at any time without prior notice.

The data contained herein is information purposes only and does not enlarge, amend or imply any warranty other than provided by the manufacturer with the product. Any use of the product not in conformance with the manufacturer's instructions may be dangerous.

Only items in this catalogue are carried in stock. Some items are subjected to minimum quantities or sold only in multiples of standard quantities. Please refer to the price list or contact our commercial department.

**Balflex® – The European Technology**