

# Balfit® SAE 37° Flared Pipe Fittings

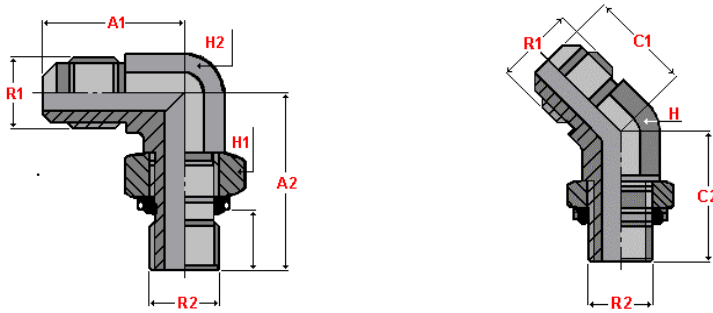


## Balfit® 90° Elbow JIC Male x SAE-ORB – 35.575.

carbon steel JIC male x SAE-ORB male 90° elbow "adjustable" connector

## Balfit® 45° Elbow JIC Male x SAE-ORB – 35.590.

carbon steel JIC male x SAE-ORB male 45° elbow "adjustable" connector



According to ISO 8434-2 According to SAE J514

Material: Carbon Steel  
Finish: Zinc-plated

part number	∅ tube		thread		dimensions				working pressure bar
	mm	inch	R1	R2	A1	A2	H1	H2	
35.575.0404	6	1/4"	7/16" – 20	7/16" – 20	24	26	14	11	345
35.575.0505	8	5/16"	1/2" – 20	1/2" – 20	26	32	17	14	345
35.575.0606	10	3/8"	9/16" – 18	9/16" – 18	26	32	17	14	345
35.575.0808	12	1/2"	3/4" – 16	3/4" – 16	31	37	22	19	310
35.575.1010	15	5/8"	7/8" – 14	7/8" – 14	35	43	25	22	240
35.575.1212	20	3/4"	1.1/16" – 12	1.1/16" – 12	41	49	32	27	240
35.575.1616	25	1"	1.5/16" – 12	1.5/16" – 12	47	52	38	35	210
35.575.2020	32	1.1/4"	1.5/8" – 12	1.5/8" – 12	57	57	48	43	170

part number	∅ tube		thread		dimensions			working pressure bar
	mm	inch	R1	R2	C1	C2	H	
35.590.0404	6	1/4"	7/16" – 20	7/16" – 20	19	27	14	345
35.590.0505	8	5/16"	1/2" – 20	1/2" – 20	22	29	17	345
35.590.0606	10	3/8"	9/16" – 18	9/16" – 18	22	29	17	345
35.590.0808	12	1/2"	3/4" – 16	3/4" – 16	26	33	22	310
35.590.1010	15	5/8"	7/8" – 14	7/8" – 14	30	39	25	240
35.590.1212	20	3/4"	1.1/16" – 12	1.1/16" – 12	35	44	32	240
35.590.1616	25	1"	1.5/16" – 12	1.5/16" – 12	39	47	38	210
35.590.2020	32	1.1/4"	1.5/8" – 12	1.5/8" – 12	40	49	48	170

also available:

### Balfit® Stainless Steel 90° Elbow JIC Male x SAE-ORB

(add an 'S' at the end of the part number; ex: 35.575.0808 S)

### Balfit® Stainless Steel 45° Elbow JIC Male x SAE-ORB

(add an 'S' at the end of the part number; ex: 35.590.0808 S)

Construction characteristics and dimensions may be changed at any time without prior notice.

The data contained herein is information purposes only and does not enlarge, amend or imply any warranty other than provided by the manufacturer with the product. Any use of the product not in conformance with the manufacturer's instructions may be dangerous.

Only items in this catalogue are carried in stock. Some items are subjected to minimum quantities or sold only in multiples of standard quantities. Please refer to the price list or contact our commercial department.

**Balflex® – The European Technology**