



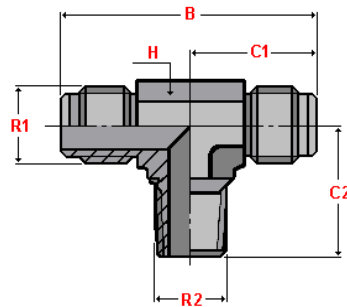
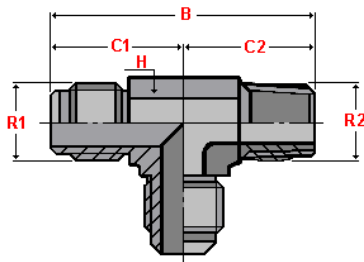
# Balfit<sup>®</sup> SAE 37° Flared Pipe Fittings

## Balfit<sup>®</sup> NPT Run Tee – 35.530.

carbon steel NPT male x JIC male X JIC male run tee connector

## Balfit<sup>®</sup> NPT Branch Tee – 35.535.

carbon steel NPT male x JIC male X JIC male branch tee connector



According to *ISO 8434-2* According to *SAE J514*

**Material:** Carbon Steel

**Finish:** Zinc-plated

part number	Ø tube		thread		dimensions			working pressure
	mm	inch	R1	R2	B	C1	C2	bar
35.530.0402	6	1/4"	7/16" - 20	1/8" - 27	43	23	20	345
35.530.0404	6	1/4"	7/16" - 20	1/4" - 18	53	25	28	345
35.530.0504	8	5/16"	1/2" - 20	1/4" - 18	51	24	27	345
35.530.0604	10	3/8"	9/16" - 18	1/4" - 18	55	27	28	345
35.530.0606	10	3/8"	9/16" - 18	3/8" - 18	55	27	28	345
35.530.0806	12	1/2"	3/4" - 16	3/8" - 18	63	32	31	275
35.530.0808	12	1/2"	3/4" - 16	1/2" - 14	63	32	31	275
35.530.1008	16	5/8"	7/8" - 14	1/2" - 14	74	37	37	210
35.530.1212	20	3/4"	1.1/16" - 12	3/4" - 14	82	42	40	170
35.530.1616	25	1"	1.5/16" - 12	1" - 11.1/2"	96	46	50	140
35.535.0402	6	1/4"	7/16" - 20	1/8" - 27	43	23	20	345
35.535.0404	6	1/4"	7/16" - 20	1/4" - 18	53	25	28	345
35.535.0504	8	5/16"	1/2" - 20	1/4" - 18	51	24	27	345
35.535.0604	10	3/8"	9/16" - 18	1/4" - 18	55	27	28	345
35.535.0606	10	3/8"	9/16" - 18	3/8" - 18	55	27	28	345
35.535.0806	12	1/2"	3/4" - 16	3/8" - 18	63	32	31	275
35.535.0808	12	1/2"	3/4" - 16	1/2" - 18	63	32	31	275
35.535.1008	16	5/8"	7/8" - 14	1/2" - 14	74	37	37	210
35.535.1212	20	3/4"	1.1/16" - 12	3/4" - 14	82	42	40	170
35.535.1616	25	1"	1.5/16" - 12	1" - 11.1/2"	96	46	50	140

also available:

### Balfit<sup>®</sup> Stainless Steel NPT Run Tee

(add an 'S' at the end of the part number; ex: 35.530.0808 S)

### Balfit<sup>®</sup> Stainless Steel NPT Branch Tee

(add an 'S' at the end of the part number; ex: 35.535.0808 S)

Construction characteristics and dimensions may be changed at any time without prior notice.

The data contained herein is information purposes only and does not enlarge, amend or imply any warranty other than provided by the manufacturer with the product. Any use of the product not in conformance with the manufacturer's instructions may be dangerous.

Only items in this catalogue are carried in stock. Some items are subjected to minimum quantities or sold only in multiples of standard quantities. Please refer to the price list or contact our commercial department.

**Balflex<sup>®</sup> – The European Technology**