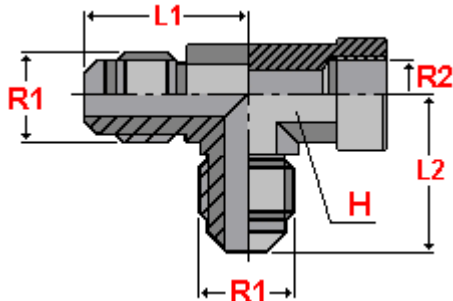


Balfit® SAE 37° Flared Pipe Fittings



Balfit® NPT Female Run Tee – 35.291.

carbon steel NPT Female Run Tee JIC Male x JIC Male x NPT Female



According to **ISO 8434-2** According to **SAE J514**

Material: Carbon Steel

Finish: Zinc-plated

part number	thread		dimensions				working pressure bar
	R1	R2	L1	L2	H		
35.291.0402	7/16" – 20	1/8" – 27	27	17	14	345	
35.291.0404	7/16" – 20	1/4" – 18	31	22	19	345	
35.291.0502	1/2" – 20	1/8" – 27	27	17	16	345	
35.291.0504	1/2" – 20	1/4" – 18	31	22	19	345	
35.291.0604	9/16" – 18	1/4" – 18	31	22	19	345	
35.291.0606	9/16" – 18	3/8" – 18	33	26	22	275	
35.291.0806	3/4" – 16	3/8" – 18	36	26	22	275	
35.291.0808	3/4" – 16	1/2" – 14	39	31	27	210	
35.291.1008	7/8" – 14	1/2" – 14	42	31	27	210	
35.291.1212	1.1/16" – 12	3/4" – 14	48	35	33	170	
35.291.1412	1.3/16" – 12	3/4" – 14	47	36	33	170	
35.291.1616	1.5/16" – 12	1" – 11.1/2"	55	41	41	140	
35.291.2020	1.5/8" – 12	1.1/4" – 11.1/2"	59	43	48	80	
35.291.2424	1.7/8" – 12	1.1/2" – 11.1/2"	73	53	60	70	

also available:

Balfit® Stainless Steel NPT Female Run Tee

(add an 'S' at the end of the part number; ex: 35.291.0808 S)

Construction characteristics and dimensions may be changed at any time without prior notice.

The data contained herein is information purposes only and does not enlarge, amend or imply any warranty other than provided by the manufacturer with the product. Any use of the product not in conformance with the manufacturer's instructions may be dangerous.

Only items in this catalogue are carried in stock. Some items are subjected to minimum quantities or sold only in multiples of standard quantities. Please refer to the price list or contact our commercial department.

Balflex® – The European Technology